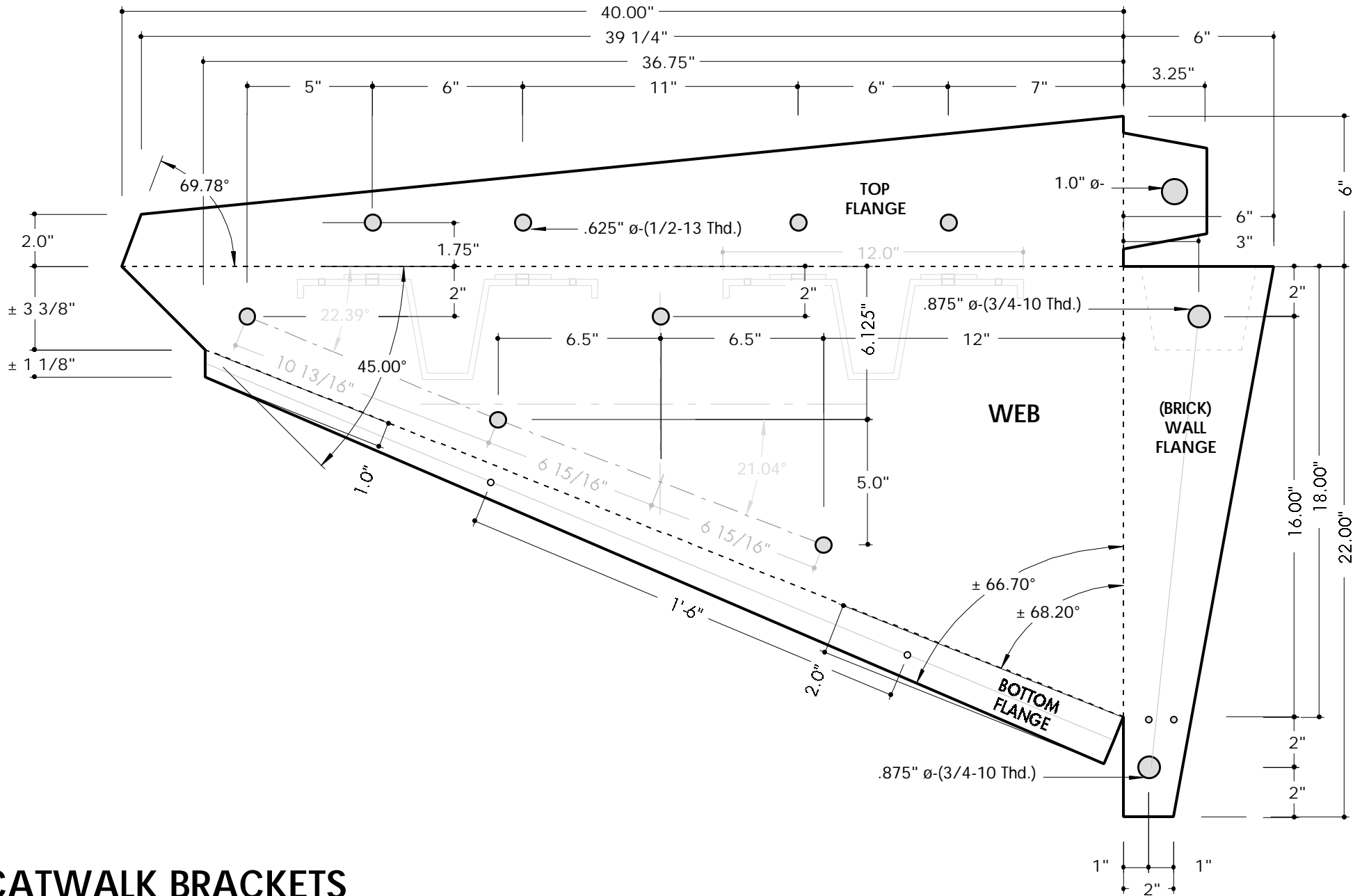


****BLANK LAYOUT FOR REFERENCE ONLY****

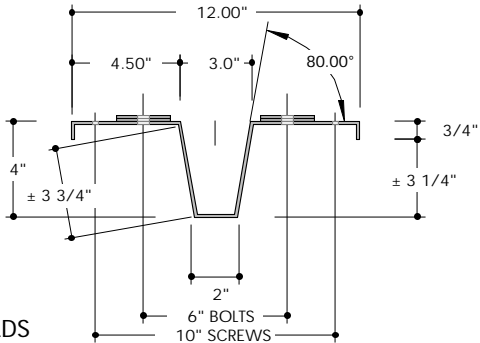
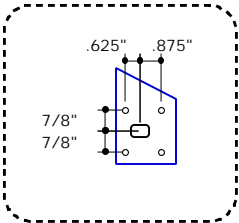
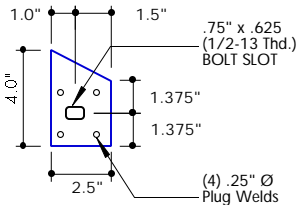


CATWALK BRACKETS

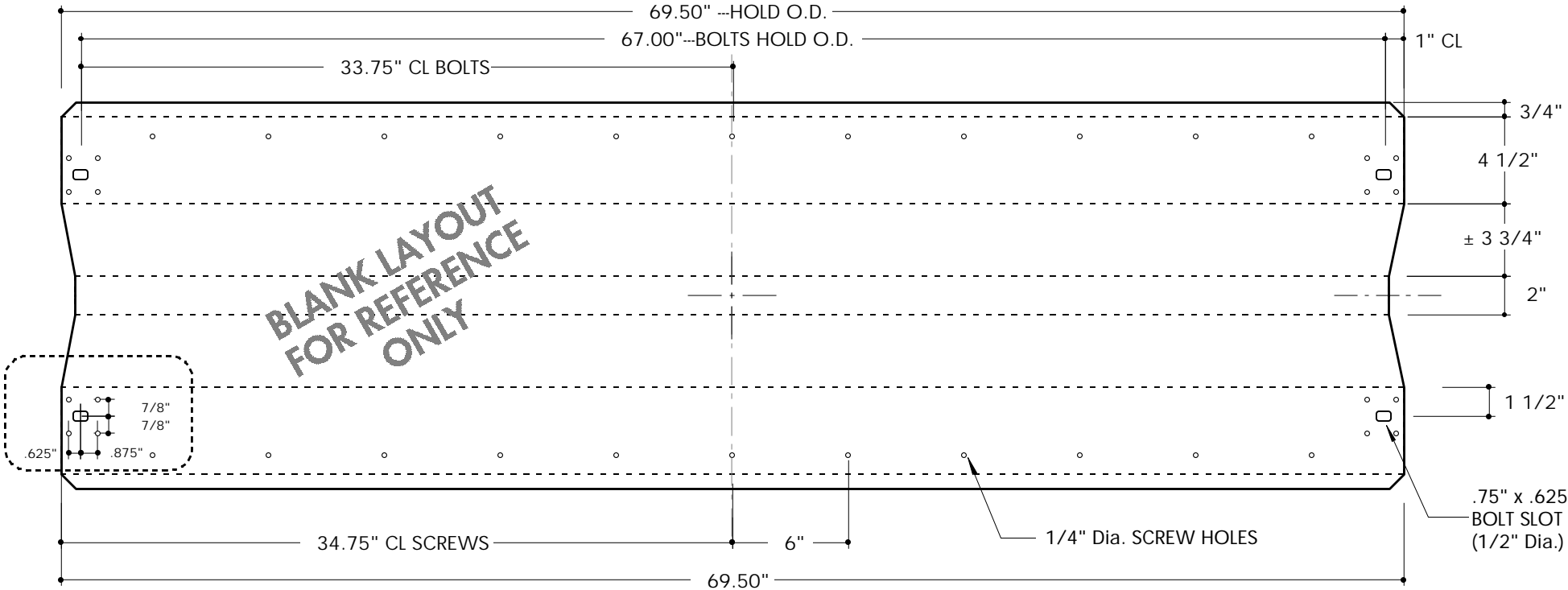
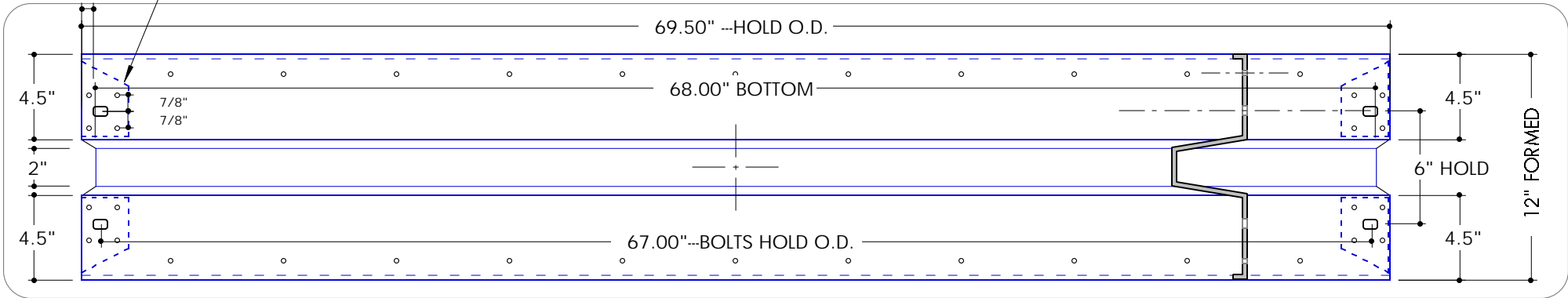
1/4" Cor-Ten Steel - <0.25 Thk.
 11) SETS - 1) left, 1) right

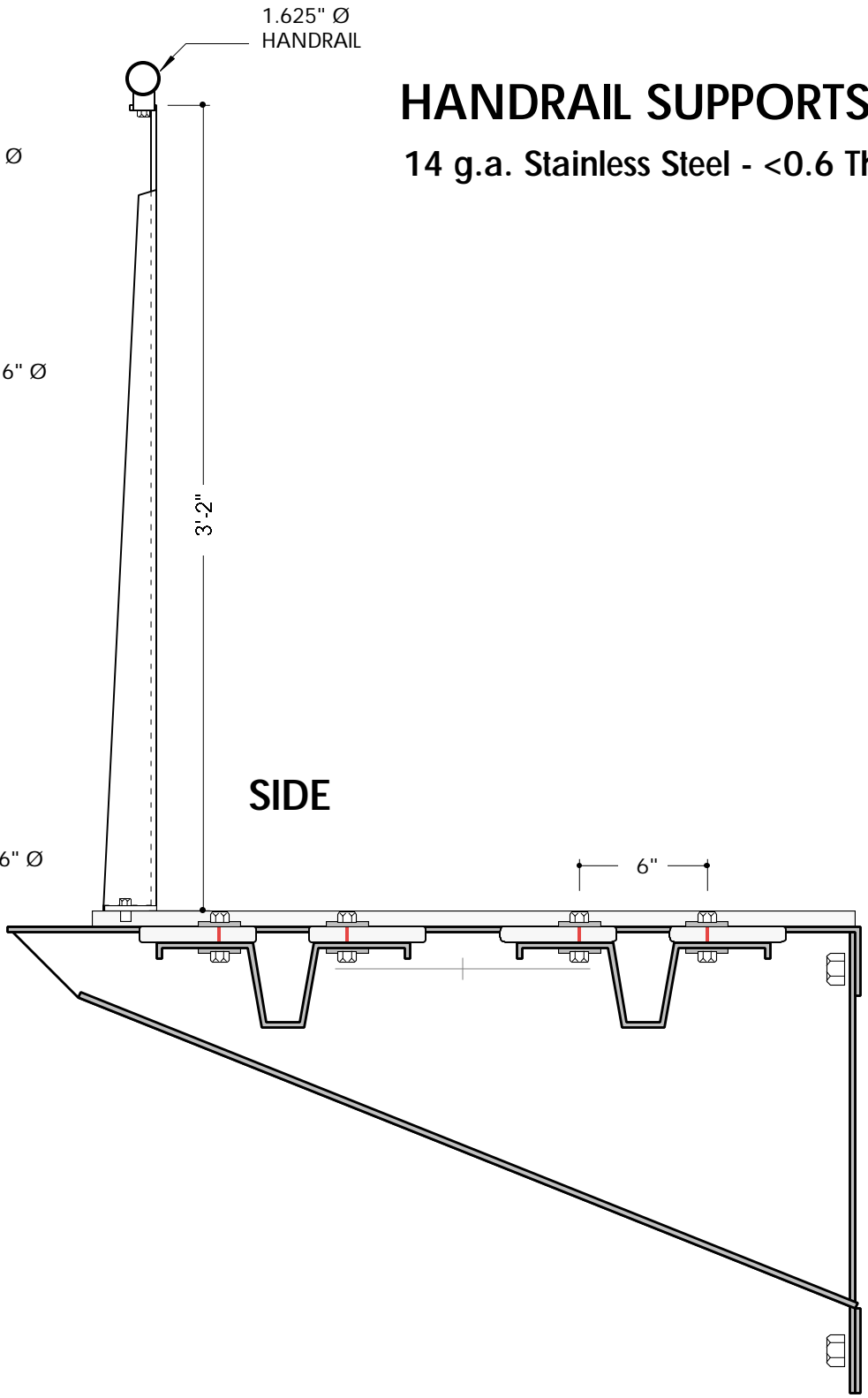
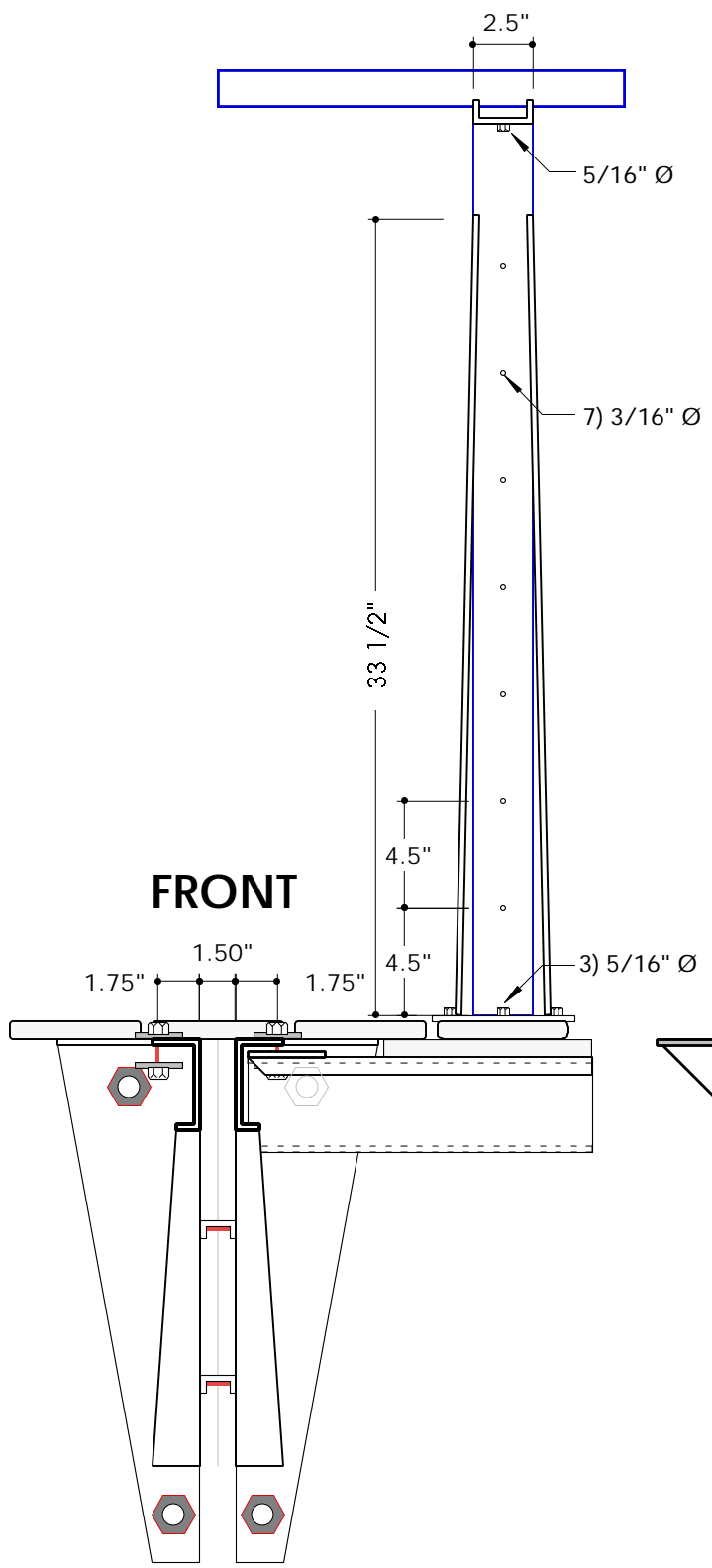
HAT CHANNELS 20) Pcs.

11 g.a. Cor-Ten Steel - <0.120 Thk.



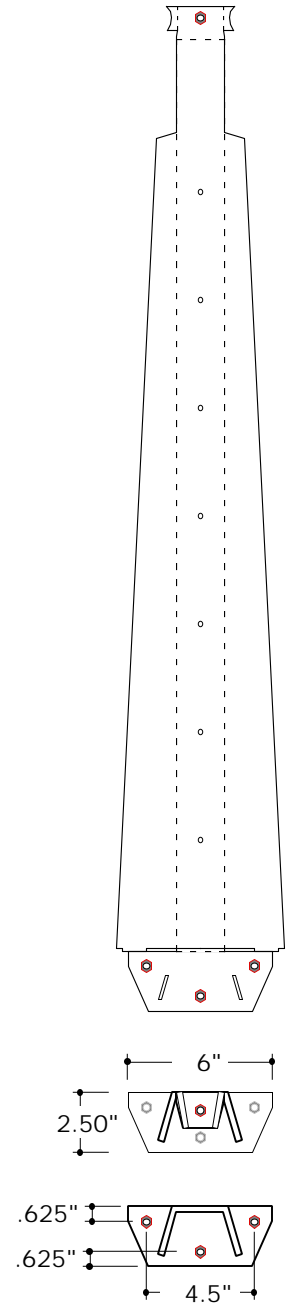
CRITICAL BEARING 5/8" SPACER TABS - 1/4" Thk. w/4 PLUG WELDS

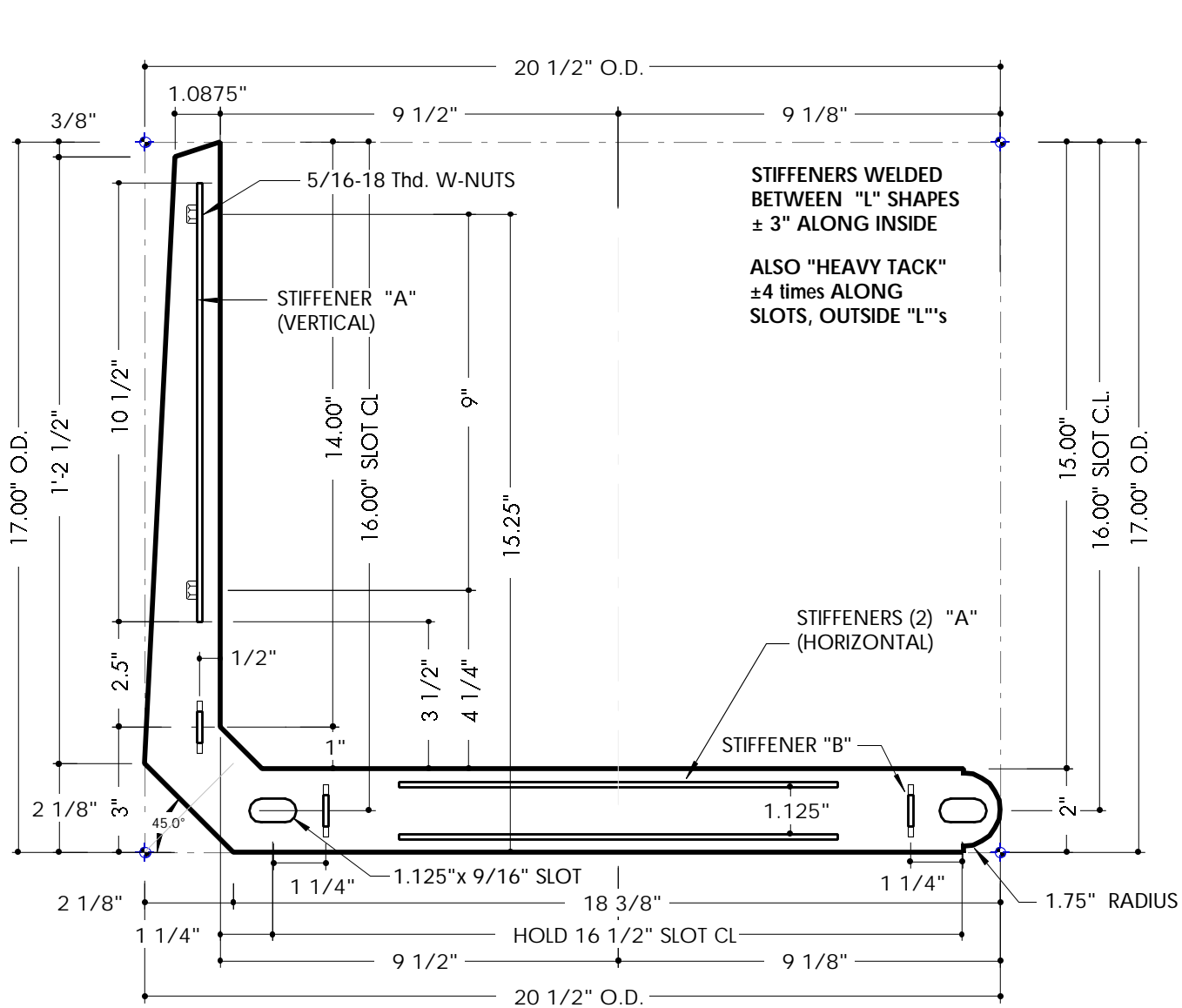




HANDRAIL SUPPORTS

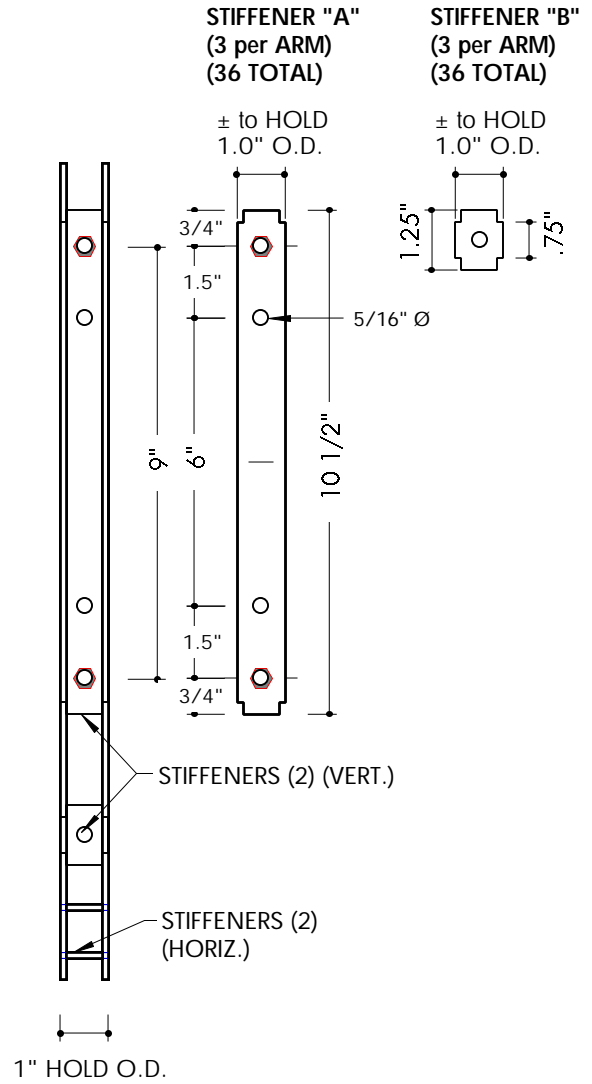
14 g.a. Stainless Steel - <0.6 Thk.





STIFFENERS WELDED BETWEEN "L" SHAPES ± 3" ALONG INSIDE

ALSO "HEAVY TACK" ±4 times ALONG SLOTS, OUTSIDE "L"'s



SIDE

FRONT

HANDRAIL ARM 12) Pcs.
 11 g.a. Cor-Ten Steel - <0.120 Thk.

Revision
v: 3